

iCelsius IP2 - Inspection Probe

Thermometer for iPad / iPhone / iPod touch



Applications

Insertion Probe

This inspection probe has the same robust, durable 2" long tip as the IP1, but with a plastic handle for reduced cost. Suitable for measuring temperatures in a variety of industries where the features of the full stainless probe (IP1) are not required by the application, FDA or other governing agencies.

Features

Live display - Shows you useful temperature data in one shot.

Graphs - Scroll and pan graphs over 1 year.

Alarms - Generate alarms when the temperature goes outside a configurable limit. On iPhone, call other phones when that happens.

Data export - Export by email, CSV or graph GIF

Select units (°C and °F) -

Technical Specifications

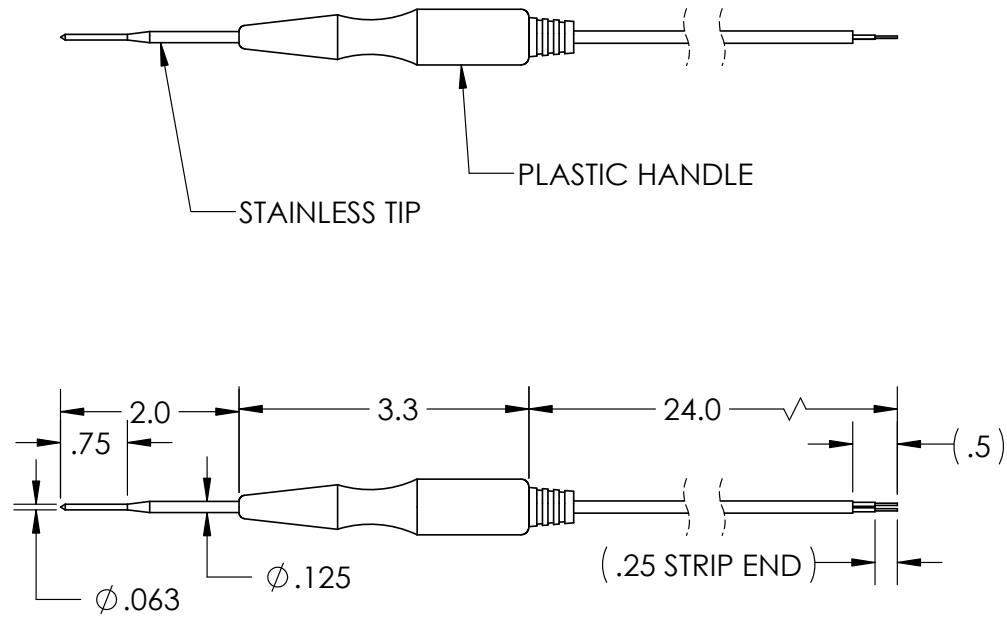
Hardware

Dimensions:	Handle: 84mm ø 14mm (3.3" ø 0.55" max) Tip base: 25mm ø 3.18mm (1" ø 0.125") Tip extremity: 20mm ø 1.6mm (0.8" ø 0.063") Cable: 61cm (24")
Probe:	Stainless Steel (300) housing tip Delrin or equivalent handle PVC cable jacket
Weight	60g (2.1oz)
Power requirements	from iPhone / iPad / iPod
Measurement range	0° to +100° C (32° to 212° F)
Accuracy	Max ±0.7°C (±1.3°F) over whole range (see chart on next page)
Response time (to reach 63.2% of value)	Liquid: <XXXs Air (1m/s): <100s Air (still): <XXXs
Display resolution	0.01°C
Sampling frequency:	2Hz
Operating temperature:	0° to +100° C
Probe tip only:	(32° to 212° F)
Whole unit:	0° to +35° C (32° to 95° F)
Non operating temperature (whole unit):	-20° to 45° C (-4° to 113° F)
Relative humidity:	5% to 95% non condensing
Max operating altitude:	3000 m (10,000 feet)
Certifications:	CE, RoHS, MFi (Made for iPod)

Software

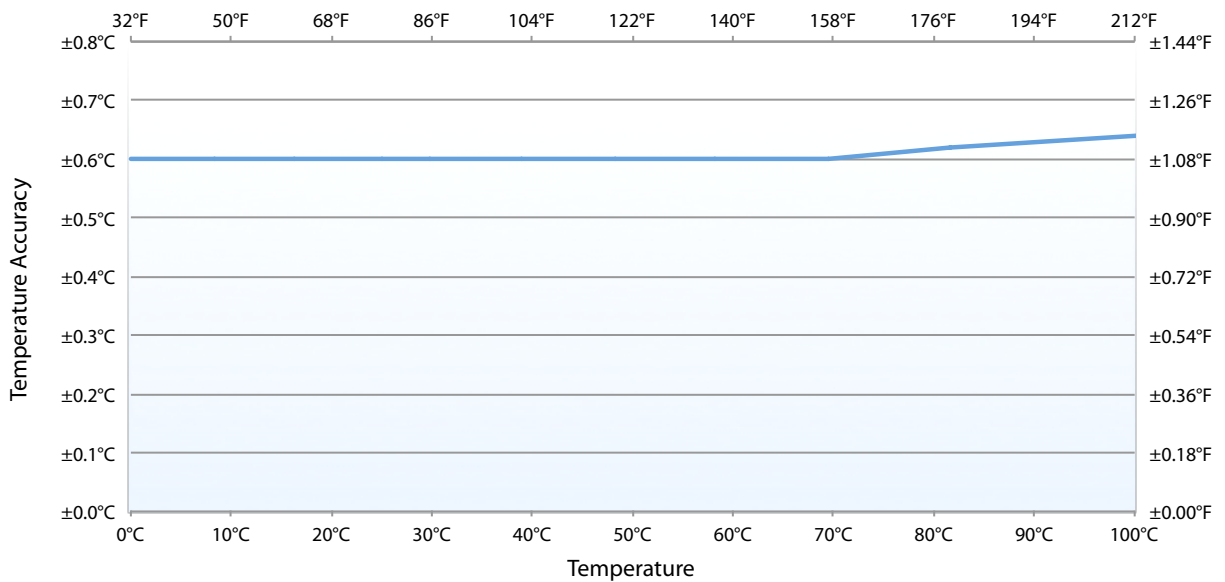
Device support	iPhone 3G, 3GS, 4, 4S iPad, iPad 2 iPod touch 3 rd and 4 th generation
iOS Support	Requires iOS 4.2+
Installation, launch	Automatic installation when probe first inserted Automatic app launch when probe inserted afterwards
Units	Celsius or Fahrenheit
Data export	CSV: email, iTunes, export to Numbers, Dropbox GIF: email, Picture Library
Alarms	Thresholds for min/max limits Sound alarm, call another phone (iPhone only)
Data storage	Constrained by device memory using internal database
Graphs	Pan, zoom touch support Manual date setup
iCelsius API	We provide an API for selected developers willing to integrate our technology into their apps.

Technical drawing



(dimensions in inches, connector not illustrated)

Accuracy chart



More information

The iCelsius is a "Made for iPhone" certified device. The product passed validation tests from Apple Inc.

Find us on the Internet:



www.icelsius.com *and* www.aginova.com



www.icelsius.com/facebook



@icelsius

Contact us:

U.S. Office:

Aginova Inc.
2226 Central Ave., Suite One
Middletown, OH 45044
Phone: +1 513 727 1984
Fax: +1 732 879 0248
info (at) aginova.com

European Office:

Aginova Sàrl
PSE-D, EPFL
CH-1015 Lausanne, Switzerland
Phone: +41 21 693 8691
Fax: +41 21 693 8692
info-ch (at) aginova.com

Made for



iPod



iPhone



iPad